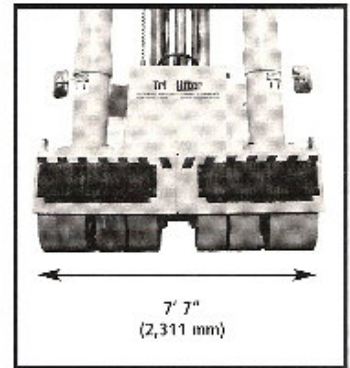
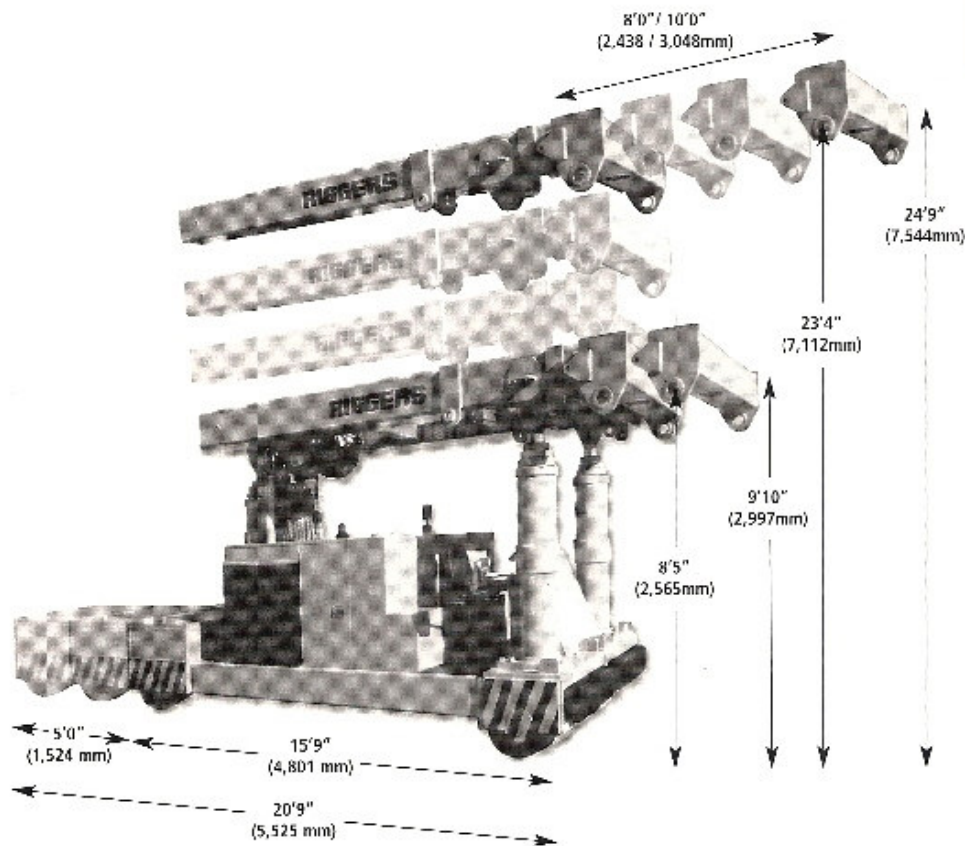


# TL150<sup>BW</sup>

TriLifter 75 Ton



## TL150BW

- Tri Lifter – mobile crane, forklift, and gantry – three lifting devices in one.
- Tri Lifter when used as a mobile crane with no outriggers, allows travel with the load.
- Tri Lifter crane boom extends horizontally and raises the load vertically requiring only minimal headroom for crane operation.
- Big wheels spread the load more evenly on the floor.
- 18 foot (5.5 meter) turning radius offers great maneuverability.
- 75 ton (68 metric ton) crane capacity @ 36" (910 mm) load center.
- 100 ton (91 metric ton) gantry (lifting on top of the boom) capacity.
- 50 ton (45.4 metric ton) forklift capacity @ 24" (610 mm) load center.
- Load Management System keeps the boom level at all times.
- Digital Display panel keeps the operator well informed of the load weight, boom and counterweight positions.
- Automatic Overload Shutoff System does not permit over-loading condition.
- Oscillating rear end keeps all the wheels on the ground when the floor is uneven.
- Posi Drive when engaged, gives power to all the drive wheels for best traction.
- Inching Clutch permits precise travel control.

**RIGGERS**<sup>™</sup>  
MANUFACTURING COMPANY

## TL150BW Specifications

Maximum Lifting Capacity	75 tons (68 metric tons)
Lift Height	9'10" to 24'9" (2,997 mm to 7,544 mm)
Weight without Counterweight	20 tons (18.1 metric tons)
Weight with Counterweight	35 tons (31.9 metric tons)
Counterweight	15 tons (13.7 metric tons) modular and removable
Transmission	Hydrostatic drives mounted on front wheel
Boom Controls	Electro-hydraulic proportional control
Engine	Dual fuel – gasoline or propane, Ford V-8, 7.5 L
Lift Cylinders	Four (4) stage telescopic, double acting, hydraulic cylinders
Steering	Rear wheel, power steering pivot to 80 degrees
Boom Extension	8'0" / 10'0" (2,464 / 3,073mm)

## TL150BW Dimensions

	COUNTERWEIGHT IN		COUNTERWEIGHT EXTENDED	
	US UNITS	METRIC UNITS	US UNITS	METRIC UNITS
Overall Length	15'9"	4,801mm	20'9"	6,325mm
Width	7'7"	2,311mm	7'7"	2,311mm

## TL150BW Turning Radius

	COUNTERWEIGHT IN		COUNTERWEIGHT EXTENDED	
	US UNITS	METRIC UNITS	US UNITS	METRIC UNITS
Inside/Outside	3'4" / 18'0"	1,016mm / 5,486mm	5'7" / 23'0"	1,702mm / 7,010mm

## TL150BW Lift Capacity

BOOM EXTENSION		COUNTERWEIGHT IN		COUNTERWEIGHT EXTENDED	
INCHES	MM	POUNDS	KILOGRAMS	POUNDS	KILOGRAMS
36	914	112,000	50,800	150,000	68,000
48	1,219	90,000	40,800	122,000	55,400
60	1,524	76,000	34,400	102,000	46,200
72	1,829	64,000	29,000	88,000	40,000
84	2,134	56,000	25,400	76,000	34,500
96	2,438	50,000	22,700	68,000	30,800
108*	2,743*	46,000	20,900	62,000	28,000
120*	3,048*	42,000	19,000	56,000	25,400

## TL150BW Load Chart with Fork Attached

DISTANCE FROM LOAD CENTER		POUNDS	KILOGRAMS
INCHES	MM		
24	610	100,000	45,400
36	914	66,000	30,000
48	1,219	50,000	22,700
60	1,524	40,000	18,000
72	1,829	33,000	15,000
84	2,134	28,000	12,700
96	2,438	24,000	10,900

\*Optional boom extension. Standard is 96" (2,438 mm)

Note: Do not exceed 115,000 lbs. (52,000 Kgs.) in the top lift stage

