



4 POINT LIFT SYSTEMS

LIFT SYSTEMS MINI JACKS™

- Self-contained 20 (18) ton configurations • Standard plant power operability



Model 2020SC, 20 Ton 2 Point Lift System

Pressure (Bar)	1800 PSI (124)	1600 (110)	1400 (97)	1,200 (83)	1000 (69)	800 (55)	600 (41)	400 (28)	200 (14)
16'0" (4,877mm) 3rd Stage	20 TON (18)	19 TON (17)	16 TON (14)	14 TON (12)	11 TON (9)	9 TON (8)	7 TON (6)	4 TON (3)	2 TON (1)
12'8" (3,861mm) 2nd Stage				20 TON (18)	18 TON (16)	14 TON (12)	11 TON (9)	7 TON (6)	3 TON (2)
9'4" (2,845mm) 1st Stage						20 TON (18)	16 TON (14)	10 TON (9)	5 TON (4)
6'0" (1,829mm)	STANDARD (METRIC)								

3rd Stage
16'0"
(4,877mm)

2nd Stage
12'8"
(3,861mm)

1st Stage
9'4"
(2,845mm)

Retracted
6'0"
(1,829mm)



Model 4040SC, 40 Ton 4 Point Lift System

Pressure (Bar)	1800 PSI (124)	1600 (110)	1400 (97)	1,200 (83)	1000 (69)	800 (55)	600 (41)	400 (28)	200 (14)
16'0" (4,877mm) 3rd Stage	40 TON (36)	38 TON (34)	33 TON (29)	28 TON (25)	23 TON (20)	19 TON (17)	14 TON (12)	9 TON (8)	4 TON (3)
12'8" (3,861mm) 2nd Stage				40 TON (36)	37 TON (33)	29 TON (26)	22 TON (19)	14 TON (12)	7 TON (6)
9'4" (2,845mm) 1st Stage						40 TON (36)	32 TON (29)	21 TON (19)	10 TON (9)
6'0" (1,829mm)	STANDARD (METRIC)								



LIFT SYSTEMS

216 40TH ST (61265) • PO BOX 906

MOLINE IL 61266-0906

TEL +1(309) 764-9842 • FAX +1(309)764-9848

E-Mail: liftit@lift-systems.com • Web: www.lift-systems.com

INTERNATIONAL OFFICES: UNITED KINGDOM • GERMANY • JAPAN • CANADA



MINIJACK™ SPECIFICATIONS

STANDARD EQUIPMENT:

LIFTING UNITS (EACH):

Maximum Extended Height: 16' (4,877mm). Retracted Height: 6' (1,829mm). 10 (9) ton capacity. Light weight platform with cylinder support struts. Steel wheels with anti-friction bearings. Self-contained integral hydraulic system with preparation for the addition of a remote control system, required to operate the lifting units. Header plate on lift cylinder for attaching lift beam. Maneuvering dolly to ease placement of each pair of lifting units. Standard paint color is Lift Systems' yellow.

*A.S.W.: 1,800 lbs. (817kg)

INTEGRAL HYDRAULIC POWER SYSTEM:

14 gal. (53L) reservoir. Necessary filters. Gear pump at 1 g.p.m. (3.8 l.p.m.). Standard power is electric 115 volt (15.2 full load amps), domestic 1.5 HP (1.11kw) @ 60Hz power and international 1 HP (0.74kw) @ 50Hz.

OPTIONAL EQUIPMENT:

ELECTRIC POWER OPTION:

Optional voltages available. Consult factory.

REMOTE CONTROL:

Hand held electronic remote control includes 25' (7,620mm) control cable and connections to control console. Available with lift only or lift and travel functions.

*A.S.W.: 35 lbs. (16kg) or 45 lbs. (21kg)

HYDRAULIC POWER DRIVE:

High traction rubber drive wheels with hydraulic motor drive. Attaches to end of lift unit for smooth continuous travel.

*A.S.W. per pair: 120 lbs. (54kg)

POLY WHEELS:

Poly surfaced wheels, in lieu of steel wheels.

LIFTING LINKS (EACH):

10 (9) ton capacity. One link per lifting unit. Consult factory for custom links to suit customer needs and applications.

*A.S.W.: 38 lbs. (17.24kg)

LIFTING BEAMS:

Length and weight of lifting beams can be furnished to suit customer needs and applications. Consult factory.

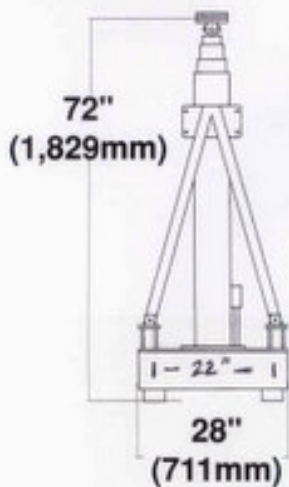
*A.S.W. denotes approximate shipping weight

©Lift Systems 2001

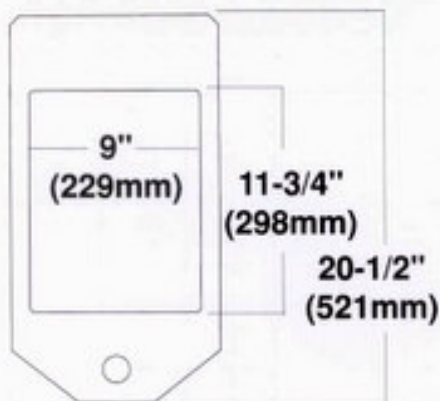
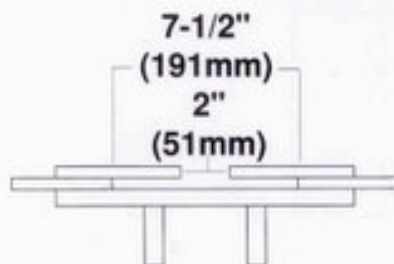
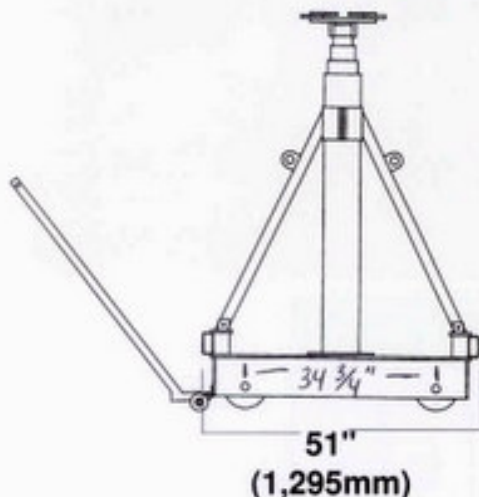
Note: Specifications are provided in U.S. and (metric) millimeters. All equipment dimensions, designs, specifications, calculations, etc., as described above, are subject to change at manufacturer's discretion at any time without notice. Weights are approximate and may vary. Data herein is for informational purposes only and will not be construed to guarantee suitability of the equipment for any particular purpose as performance may vary with conditions encountered. Warranty will apply as written in standard contract form upon purchase of equipment.

Designed and tested to comply with ANSI Code B56.7. Capacities are for reference only and must not be used for any serial numbered machine or Lift System. Laminated serial numbered load charts may be obtained from Lift Systems.

4 POINT LIFT SYSTEMS AND ASSOCIATED LOGO ARE CLAIMED AS A TRADEMARK BY LIFT SYSTEMS. *PATENTS IN APPLICATION.



*wheels 4" W with
1/8" taper on each side and
8" diameter.*



LIFT SYSTEMS

216 40TH ST (61265) • PO BOX 906

MOLINE IL 61266-0906

TEL +1(309) 764-9842 • FAX +1(309)764-9848

E-Mail: liftit@lift-systems.com • Web: www.lift-systems.com

INTERNATIONAL OFFICES: UNITED KINGDOM • GERMANY • JAPAN • CANADA

MJF022001