



TOE JACKS

Strong, Portable & Safe

... the perfect complement to Hilman load rollers!

Let us introduce you to **Hilman's new Toe Jacks.**

Over the last couple of years we have gotten so many requests from our customers for **Toe Jacks** that we have decided to bring them back into our line. The **Hilman Toe Jacks** allow you to get under and lift equipment with just over 1" of ground clearance (*1.06" to be exact*) and since there are lifting points on both the toe and the top of the jack, these are the perfect complement to **Hilman Rollers**.

Our **Toe Jacks** comply with ASME B30.1 standards and include pressure valves to prevent overloading. In addition, they can operate both horizontally and vertically. Since the base, toe and pump assembly swivel completely independently of each other, you can fit the jack most anywhere.

Of course these Toe Jacks come with **Hilman's famous quality reputation!**

- Hilman Toe Jacks fully comply with ASME B30.1 standards
- Lift loads from just 1-inch off the floor
- Vertical or horizontal jacking
- Pressure valve prevents Jack overload
- Jack from toe or top of cylinder



TOE JACKS

Strong, Portable & Safe

... the perfect complement to Hilman load rollers!

FEATURES

Each Jack is thoroughly tested

5 Ton shown at max height

5 Ton shown at it's lowest height

25 Ton shown at it's lowest height

25 Ton shown at max height

10 Ton shown at max height

Convenient carrying handle

Removable handle

Unit and toe at 90° angle

Convenient wheels for placement

10 Ton shown at it's lowest height

The advertisement features a central collage of green Hilman toe jacks in various configurations. On the left, a jack is shown in a testing rig with the text 'Each Jack is thoroughly tested'. Below this, two smaller jacks are shown: one at its maximum height and one at its lowest height, both labeled '5 Ton'. In the center, two larger jacks are shown: one at its lowest height and one at its maximum height, both labeled '25 Ton'. To the right, another jack is shown at its maximum height, labeled '10 Ton'. Further right, a jack is shown with a carrying handle, labeled 'Convenient carrying handle'. Below the central jacks, a handle is shown separately, labeled 'Removable handle'. At the bottom center, a jack is shown with its toe at a 90-degree angle, labeled 'Unit and toe at 90° angle'. At the bottom right, a jack is shown at its lowest height, labeled '10 Ton shown at it's lowest height'. At the bottom center, a jack is shown with wheels, labeled 'Convenient wheels for placement'. The background is a plain white surface.

TOE JACKS

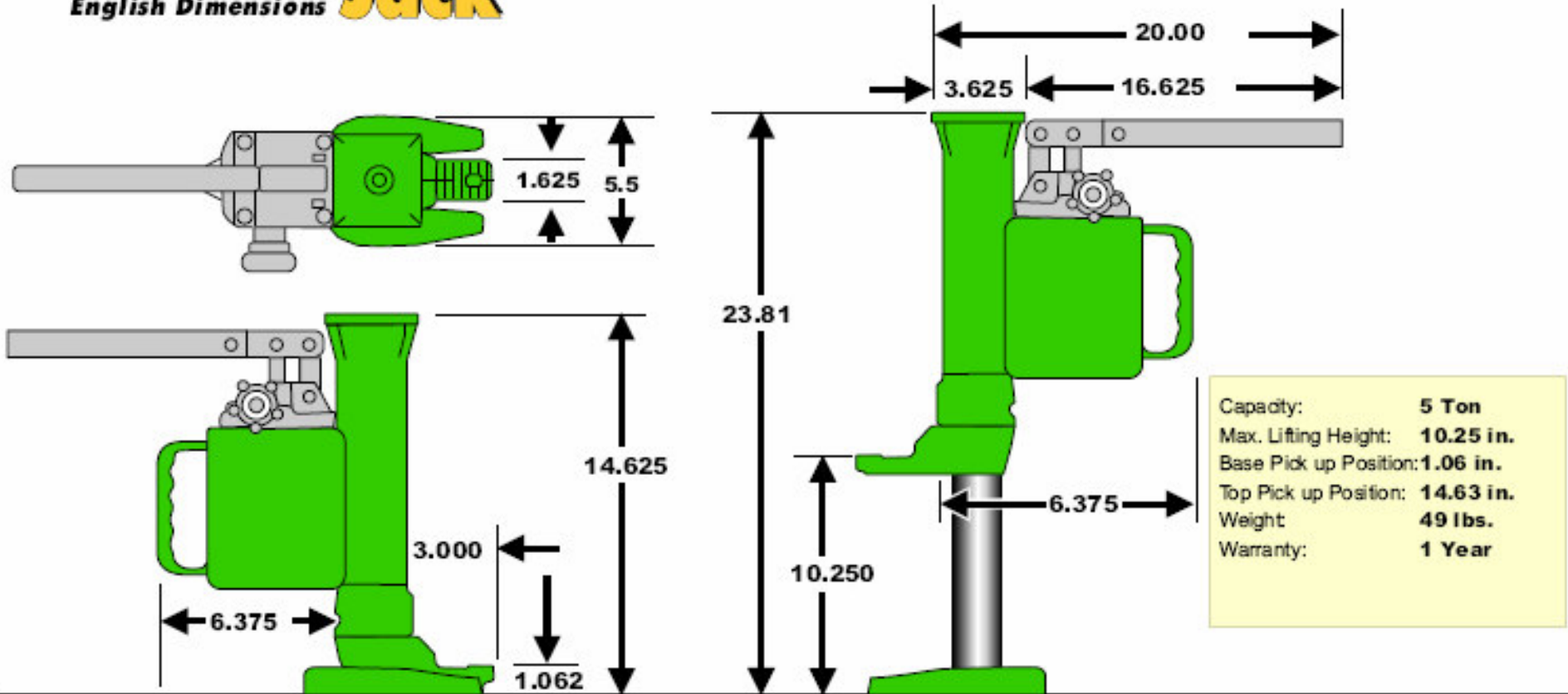
Strong, Portable & Safe

... the perfect complement to Hilman load rollers!

5-TON English Dimensions Jack

SPECIFICATIONS

All dimensions are in inches



TOE JACKS

Strong, Portable & Safe

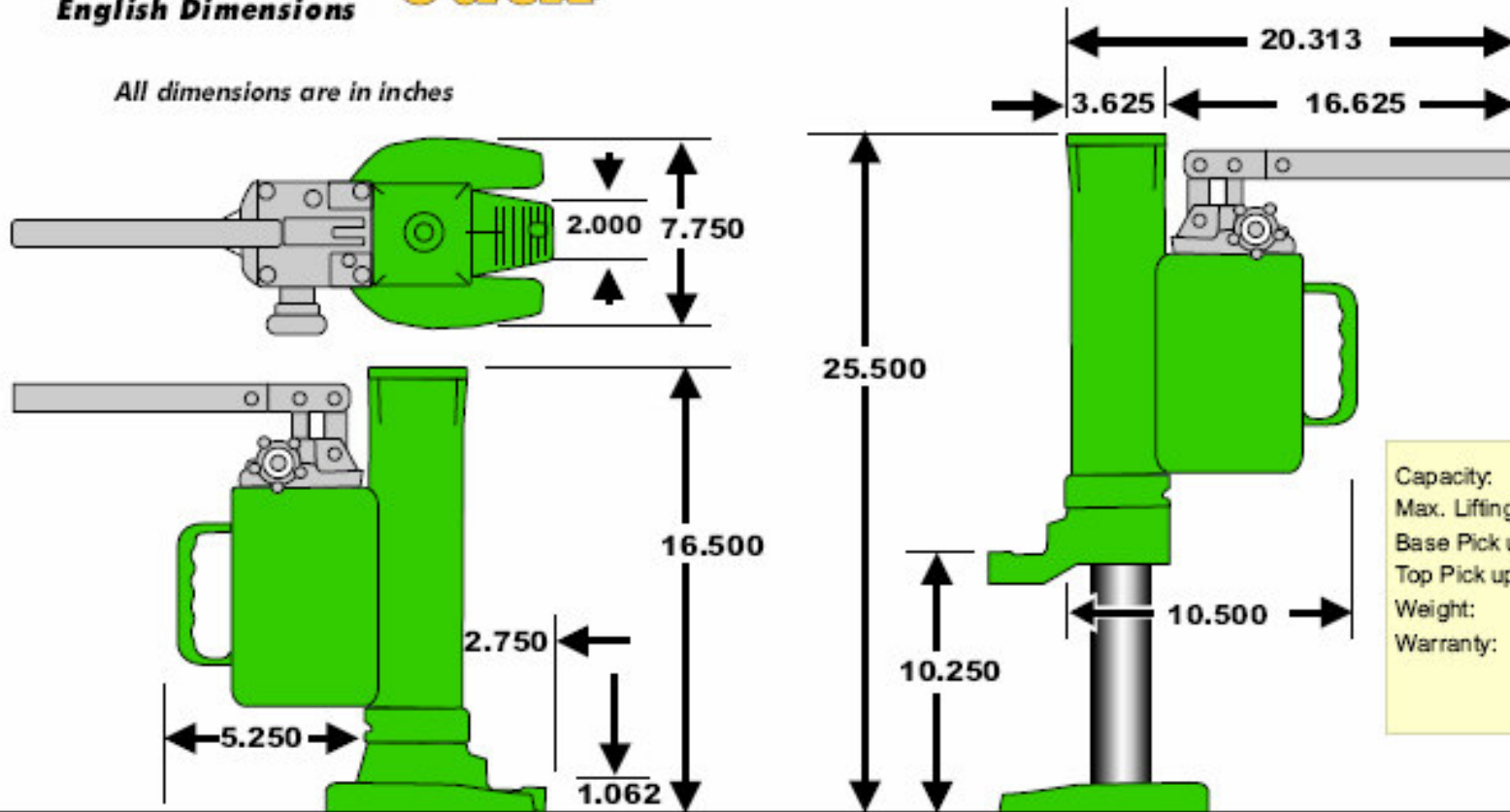
... the perfect complement to Hilman load rollers!

10-TON Jack SPECIFICATIONS

All dimensions are in inches

English Dimensions

All dimensions are in inches



Capacity:	10 Tons
Max. Lifting Height:	10.25 in.
Base Pick up Position:	1.06 in.
Top Pick up Position:	16.50 in.
Weight:	69 lbs
Warranty:	1 Year

TOE JACKS

Strong, Portable & Safe

... the perfect complement to Hilman load rollers!

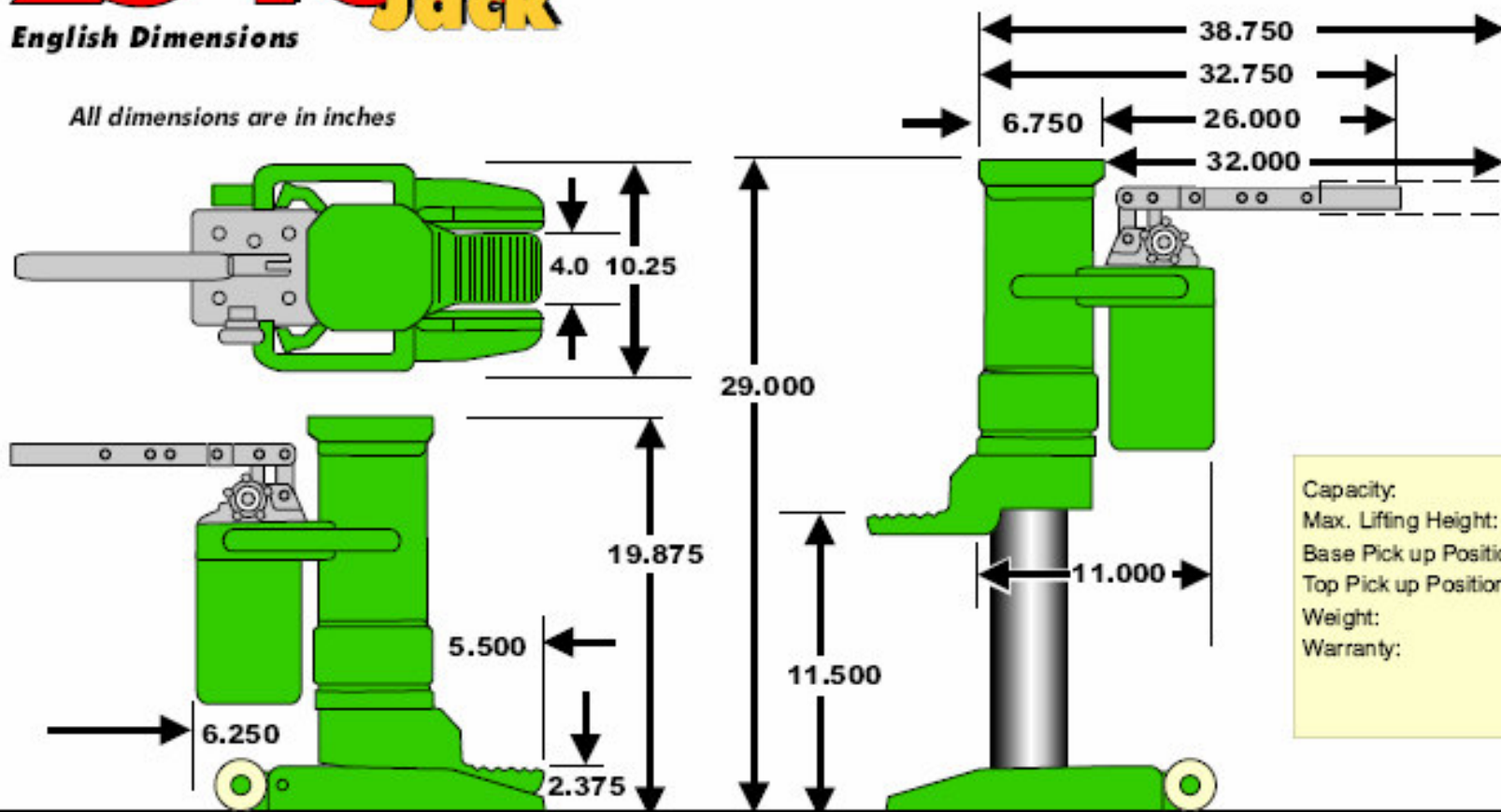
25-TON SPECIFICATIONS

Jack

All dimensions are in inches

English Dimensions

All dimensions are in inches



Capacity:	25 Tons
Max. Lifting Height:	11.50 in.
Base Pick up Position:	2.38 in.
Top Pick up Position:	19.88 in.
Weight:	208 lbs
Warranty:	1 Year